

ORV 12 M 1500 N1K-IBSL

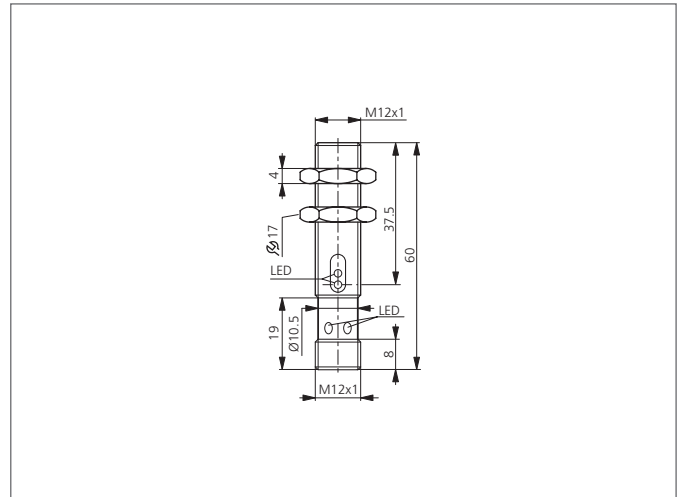
Retroreflective Sensor

- Small design
- Red light
- Polarized filter
- High resolution, switching accuracy, switching frequency
- LED indication of output state and functional reserve



Safety instructions

The Instruments are not to be used for safety applications, in particular applications in which safety of persons depends on proper operation of the instruments.
These instruments shall exclusively be used by qualified personnel.



TECHNICAL INFORMATION (typ.)	+20°C, 24V DC
Operating principle	Retroreflective sensor
Evaluation	digital
Size	M12 x 1 (thread)
Design	screw
Characteristics	Integrated polarized filter
Emitted light	Red, 660 nm, clocked
Operating distance	1.500 mm
Service voltage	10 ... 36 V DC
Internal power consumption	< 20 mA
Referring reflector	Ø 84 mm, R 84
Switching output	npn, 200 mA, NC
Voltage drop	< 2,0 V
Switching frequency	1.000 Hz
Response-/release time	< 0,5 ms / < 0,5 ms
Ambient temperature	-25 ... +55 °C
Ambient light immunity	10 kLx
Insulation voltage endurance	500 V
Protection class	IP 67
Protection degree	III, operation on protective low voltage
Casing material	brass nickel plated
Material	glass (Window)
Connection	Connector, M12, 4-poled